

Data Conversion and Distribution System

SERIES 9200

Features

- Multiple Chassis Configurations:
 - 2U 19" Rack-mount Chassis
 - Holds up to 16 conversion/distribution modules
 - Multiple Daisy-Chain and Global busses
 - Optional redundant power supply
 - Single Module desktop box
 - Low-cost for "little jobs"
- Convert and distribute the following signal types:
 - TTL
 - RS-422
 - ECL
 - LVDS
 - Analog
 - RS-232
 - RS-485
 - RS-530
 - Ethernet (10/100/1000)
 - Video
 - Fiber Optic
 - Single mode
 - Multimode
 - Optical isolation
 - Unique Conversion / Distribution Applications
- Power Status Indicators

General Description



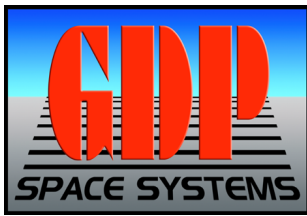
The GDP Space Systems' 9200 Series Data Conversion and Distribution System is a modular product that is scalable and can be user configured to convert and/or distribute a large selection of data channels.

The 9200 Series units are designed to be a cost-effective and flexible solution to a wide range of signal conversion and distribution applications. The 2U 19" rack mount unit can hold up to 16 various pluggable modules, each with the ability to accept and properly terminate a variety of signal types and then convert these signals to other industry standards.

The chassis also provides a variety of global and daisy-chain buses so that signals can be received by one module and then sent to other modules in the chassis to address signal distribution applications. Figure 1 shows a simple block diagram of these chassis functions.

Small single-module units can be used for applications that require lower-cost, smaller size and lower channel count conversion and/or distribution.

Figure 2 shows a simple block diagram example of a typical conversion module. Jumpers are provided to allow any input to be directed to any output on the module. Any input can also be simultaneously directed to any of the daisy chain and global buses for mass distribution. All inputs and outputs can be independently inverted.



Data Conversion and Distribution System

SERIES 9200

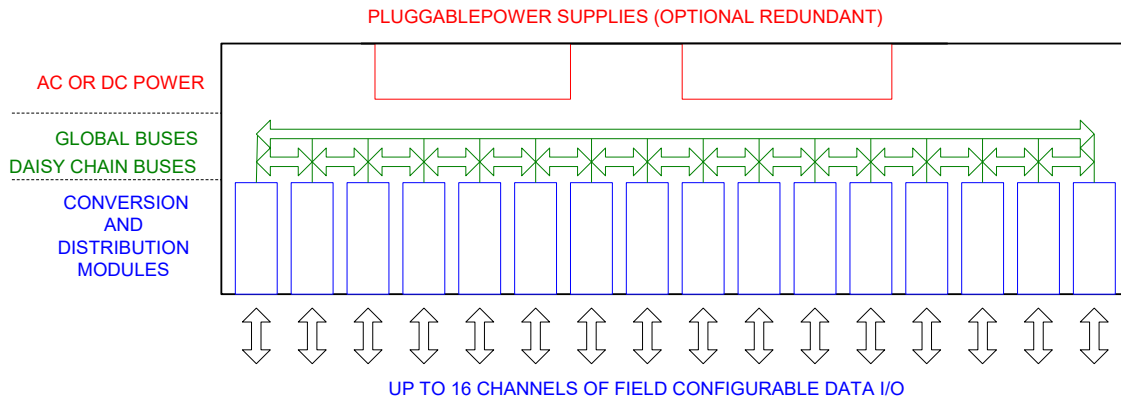


Figure 1

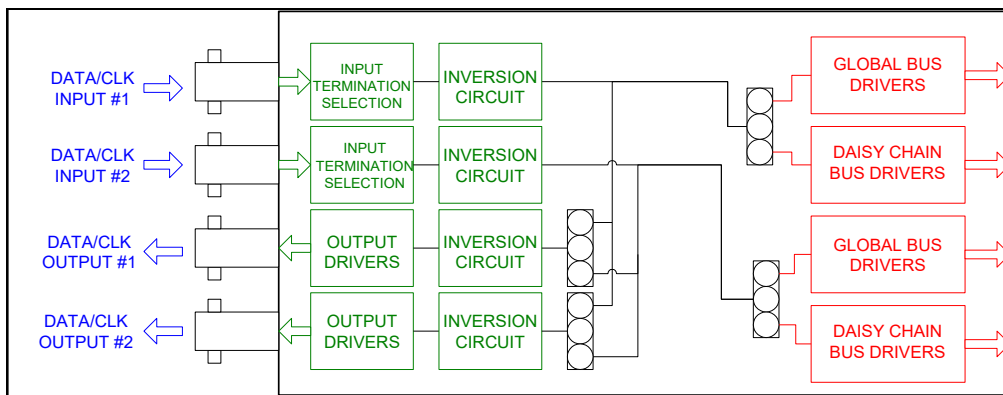


Figure 2

Specifications

SIZE (W x D x H)

19" x 10.5" x 3.5"; 2U high

SLOT

16 card slots

LEDs

Power 1, Power 2

FAN

2 x FAN

WEIGHT

Single AC Power supply: 9 lbs.

Dual AC Power supply: 10.5 lbs.

POWER REQUIREMENT

100-240V AC, 1.5A, 50-60Hz, 440Hz

POWER CONSUMPTION

10 Watts (1 x power supply, does not include modules)

80 Watts (Full loading)

OPERATE ENVIRONMENT

-20° to 70°C, 5% to 90%RH

STORAGE ENVIRONMENT

-40° to 85°C, 5% to 90%RH

2 x FAN

* Recognizing that no standard product can meet all the needs of all users, GDP stands ready to provide units tailored to unique applications.
 * The statements in this data sheet are not intended to create any warranty, expressed or implied. Specifications are subject to change without notice.