

TTL Data and Clock over Fiber

Features

- Synchronous Data/Clock Inputs
 - TTL Level
 - 100 kbps to 50 Mbps
 - BNC connectors
 - Selectable Input Impedance
 - 50 Ohm
 - 75 Ohm
 - High Impedance
- Fiber Optic Output
 - SFP Module Holder
 - SFP Transceiver Module*
- Front Panel LED Status Indicators
 - Fiber Optic Link Status
 - Signal Activity
 - Power
- Selectable Bus Extension
- Pluggable, Hot Swappable
- Remote Control*

*Option

General Description



The GDP Model 9200-1291 Data Conversion and Distribution Module is one of the functional and hot-swappable modules that can be incorporated into the 9200 Series Chassis. The 9200-1291 Module is configured as a transmit module to accept one pair of synchronous TTL level data and clock signals on BNC connectors, combine both data and clock into a single stream, and output this stream over a single fiber optic output.

Figure 1 shows a functional block diagram of the Model 9200-1291.

The Model 9200 Data Conversion and Distribution System is a modular product that is scalable and user configured to convert and/or distribute a large selection of data channels to satisfy a wide variety of data signal conversion and distribution functions. The 9200 chassis has 16 single height card slots to house the large selection of 9200 series modules. The 9200 series modules provide the ability to accept and properly terminate a variety of signal types and then convert these signals to other industry standards.

The chassis provides global and daisy chain buses so that signals can be received by one module and then sent to other modules in the chassis to satisfy signal conversion and distribution requirements. This concept provides a cost effective and flexible solution to a wide range of signal conversion and distribution applications such as level conversion, signal inversion, code conversion, time code distribution, fiber optic transport, and optical isolation.

TTL Data and Clock over Fiber

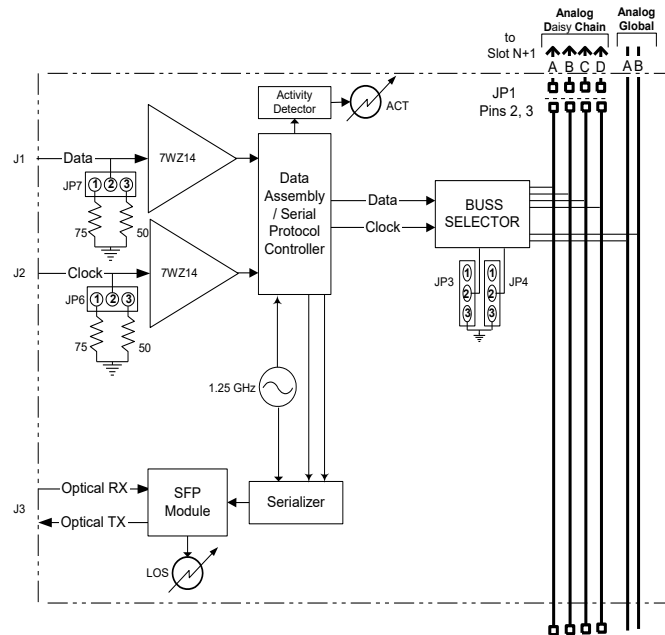


Figure 1: 9200-1291 Module Functional Block Diagram

Specifications

ELECTRICAL

- Synchronous Data/Clock Inputs, J1/J2
 - BNC Connectors
 - Impedance: Select 50/75 Ohm\or High
 - Selectable Data/Clock to Analog Daisy Chain
- Fiber Optic Output, J3
 - SFP Module Holder
 - SFP Transceiver Module (Optional)
- LED Status Indicators
 - ACT (Green): Signal Input Activity
 - LOS (Tri-Color):
 - (Red): No Optical Link
 - (Green): Optical Link Up
 - (Amber): Tx (Local) Laser Off
 - P (Blue): Power OK
- Selectable Bus Extension
- Remote Control (Option)
 - Requires 9200-HSC1 System Option

MECHANICAL

- 2.9"(w) x 0.75"(h) x 7.1"(d)
- Hot Swappable
 - Pluggable w/Card Edge Connector
 - Card-Lock/Extraction Handle

ENVIRONMENTAL

- Operating
 - Temp: 0 to +55 degrees C
 - Relative Humidity: 5% to 95% non-cond
- Non-operating (Storage)
 - Temp: -40 to +85 degrees C
 - Relative Humidity: 5% to 95% non-cond

* Recognizing that no standard product can meet all the needs of all users, GDP stands ready to provide units tailored to unique applications.

* The statements in this data sheet are not intended to create any warranty, expressed or implied. Specifications are subject to change without notice.