

2 TTL Input / 2 RS-422 Output Module

Features

- Two TTL level inputs
 - BNC connectors
- Selectable input impedance
 - 50 ohm
 - 75 ohm
 - High impedance
- Two RS-422 outputs
 - TRIAX connectors
- Pluggable
- Hot Swappable
- Up to 35 Mbps
- Drives the Daisy Chain buses
- Can drive the Global buses
- 3 LED indicators
 - Signal OK
 - No signal
 - Power
- Remote control capable
- Invert Output Polarity

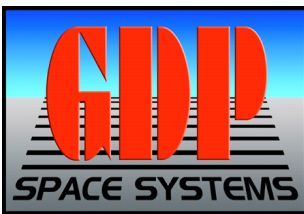
General Description



The GDP Model 9200-1222 Data Conversion and Distribution Module is one of the functional and hot-swappable modules which can be incorporated into the 9200 Series Chassis. The 9200-1222 Module accepts two TTL level data signals on BNC connectors, and outputs two RS-422 signals on TRIAX connectors. Simultaneously, the input signals drives the daisy chain buses for further selective conversion and distribution by other modules residing in the chassis. With the proper jumper settings, the module also drives either of two global buses on the 9200 chassis backplane for mass distribution to other output modules. Figure 1 shows a functional block diagram of the Model 9200-1222.

The Model 9200 Data Conversion and Distribution System is a modular product that is scalable and user configured to convert and/or distribute a large selection of data channels to satisfy a wide variety of data signal conversion and distribution functions. The 9200 chassis has 16 single height card slots to house the large selection of 9200 series modules. The 9200 series modules provide the ability to accept and properly terminate a variety of signal types and then convert these signals to other industry standards.

The chassis provides global and daisy chain buses so that signals can be received by one module and then sent to other modules in the chassis to satisfy signal conversion and distribution requirements. This concept provides a cost effective and flexible solution to a wide range of signal conversion and distribution applications such as level conversion, signal inversion, code conversion, time code distribution, fiber optic transport, and optical isolation.



2 TTL Input / 2 RS-422 Output Module

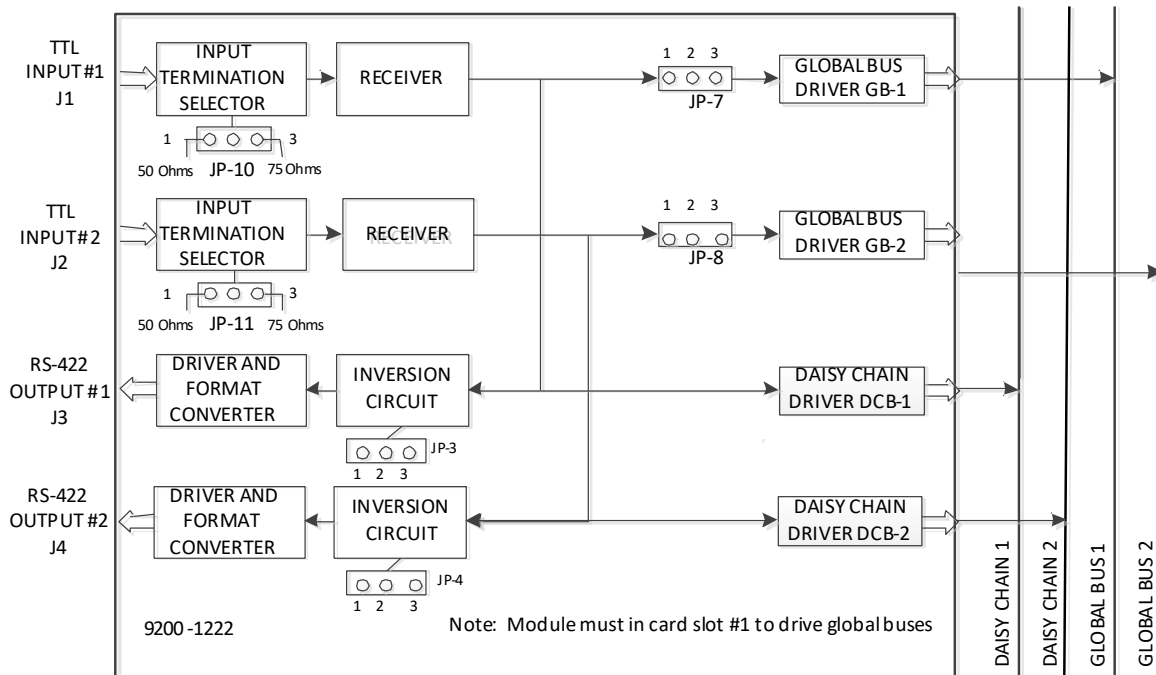


Figure 1; 9200-1222 Module Functional Drawing

Specifications

ELECTRICAL

- Two TTL level inputs
 - BNC connectors
 - Selectable input impedance: 50ohm, 75ohm, or high input impedance.
- Two independently driven RS-422 level outputs
 - TRIAX connectors
- Operates up to 35 Mbps
- Hot Swappable module
- Drives Daisy Chain buses
- Can drive Global backplane buses
- 3 LED indicators
 - Green: Signal OK
 - Red: No signal
 - Blue: Power

MECHANICAL

- 2.9" wide
- 0.75" high
- 7.1" deep

ENVIRONMENTAL

- Operating Temperature
 - 0 degrees C to +55 degrees C
- Operating Relative Humidity
 - 5% to 95% non-condensing
- Non-operating Temperature
 - -40 degrees C to +85 degrees C
- Non-operating Relative Humidity
 - 5% to 95% non-condensing

* Recognizing that no standard product can meet all the needs of all users, GDP stands ready to provide units tailored to unique applications.
 * The statements in this data sheet are not intended to create any warranty, expressed or implied. Specifications are subject to change without notice.