

1 TTL Input / 3 TTL Output Module

Features

- One TTL Input
 - Connect to Outputs & Analog Busses
 - Input Impedance: Select 50/75Ohm\ or High
 - BNC connector
- Three TTL Outputs
 - Connect to Input or Analog Busses
 - Output Impedance: 10 Ohm Back Term
 - Selectable Output Polarity, Normal/Invert
 - BNC connectors
- Data Rates, DC to 35 Mbps
- Front Panel LED Status Indicators
 - Two for Composite Signal Activity
 - Power
- Selectable Bus Extension
- Pluggable, Hot Swappable
- Remote Control (Option)

General Description



The GDP Model 9200-1113 Data Conversion and Distribution Module is one of the functional and hot-swappable modules which can be incorporated into the 9200 Series Chassis. The 9200-1113 Module accepts one TTL level data signal on a BNC connector, and outputs three copies for distribution in TTL format on BNC connectors. The input signal also drives a daisy chain bus for selective conversion and distribution by other modules residing in the chassis. With the proper jumper settings, the module also drives either of two global buses on the 9200 chassis backplane for mass distribution to other output modules.

The Model 9200 Data Conversion and Distribution System is a modular product that is scalable and user configured to convert and/or distribute a large selection of data channels to satisfy a wide variety of data signal conversion and distribution functions. The 9200 chassis has 16 single height card slots to house the large selection of 9200 series modules. The 9200 series modules provide the ability to accept and properly terminate a variety of signal types and then convert these signals to other industry standards.

The chassis provides global and daisy chain buses so that signals can be received by one module and then sent to other modules in the chassis to satisfy signal conversion and distribution requirements. This concept provides a cost effective and flexible solution to a wide range of signal conversion and distribution applications such as level conversion, signal inversion, code conversion, time code distribution, fiber optic transport, and optical isolation.

Figure 1 shows a functional block diagram of the Model 9200-1113.

1 TTL Input / 3 TTL Output Module

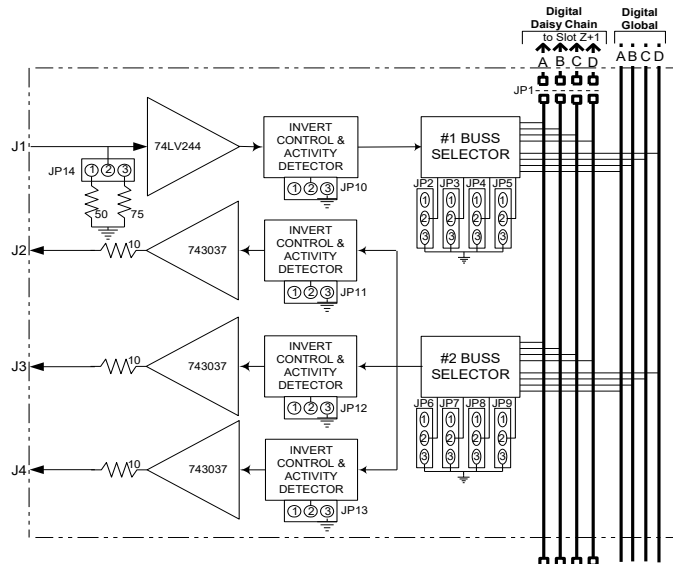


Figure 1: 9200-1113 Module Functional Drawing

Specifications

ELECTRICAL

- One TTL Input, J1
 - Selectable Impedance: 50 Ohm/75 Ohm/High
 - Bus Selector 1: Input to Analog/Global Bus
 - BNC connector
- Three TTL Outputs, J2, J3, J4
 - Bus Selector 2: Input or Analog/Global Bus
 - Output Impedance: <50 Ohms
 - Selectable Output Polarity, Normal/Invert
 - Connectors, BNC
- Data Rates to 35 Mbps
- Selectable Analog Bus Extension
- LED Status Indicators
 - ACT (Green): Signal OK (Composite)
 - LOS (Red): No signal (Composite)
 - P (Blue): Power
- Remote Control (Option)
 - Requires 9200-HSC1 System Option

MECHANICAL

- 2.9”(w) x 0.75”(h) x 7.1”(d)
- Hot Swappable
 - Pluggable w/Card Edge Connector
 - Card-Lock/Extraction Handle

ENVIRONMENTAL

- Operating
 - Temp: 0 to +55 degrees C
 - Relative Humidity: 5% to 95% non-cond
- Non-operating (Storage)
 - Temp: -40 to +85 degrees C
 - Relative Humidity: 5% to 95% non-cond

* Recognizing that no standard product can meet all the needs of all users, GDP stands ready to provide units tailored to unique applications.

* The statements in this data sheet are not intended to create any warranty, expressed or implied. Specifications are subject to change without notice.