

## Composite Video Output Module

### Features

- Four Composite Video Outputs
  - BNC Connectors
  - 75 Ohm Output
- Selectable Bus Signal Source
  - Bus Selector 1: J1, J3 Output
  - Bus Selector 2: J2, J4 Output
- Selectable Bus Extension
- Front Panel LED Status Indicators
  - J1-J4 Outputs
  - Two Composite Signal Activity
  - Power
- Pluggable, Hot Swappable
- Remote Control (Option)

### General Description



The GDP Model 9200-00V4 Data Conversion and Distribution Module is one of the functional and hot-swappable modules that can be incorporated into the 9200 Series Chassis. The 9200-00V4 Composite Video Output Module has four BNC connectors on the front panel for distribution of Composite Video outputs. With the proper Bus Selector jumper settings, Video signals can be selected from either the Analog Daisy Chain or Global busses on the 9200 System chassis backplane. The Daisy Chain bus can be extended to a module in the next slot ( $n=1$ ) for further conversion and distribution by other modules residing in the chassis.

Figure 1 shows a functional block diagram of the Model 9200-00V4.

The Model 9200 Data Conversion and Distribution System is a modular product that is scalable and user configured to convert and/or distribute a large selection of data channels to satisfy a wide variety of data signal conversion and distribution functions. The 9200 chassis has 16 single height card slots to house the large selection of 9200 series modules. The 9200 series modules provide the ability to accept and properly terminate a variety of signal types and then convert these signals to other industry standards.

The chassis provides global and daisy chain buses so that signals can be received by one module and then sent to other modules in the chassis to satisfy signal conversion and distribution requirements. This concept provides a cost effective and flexible solution to a wide range of signal conversion and distribution applications such as level conversion, signal inversion, code conversion, time code distribution, fiber optic transport, and optical isolation.

## Composite Video Output Module

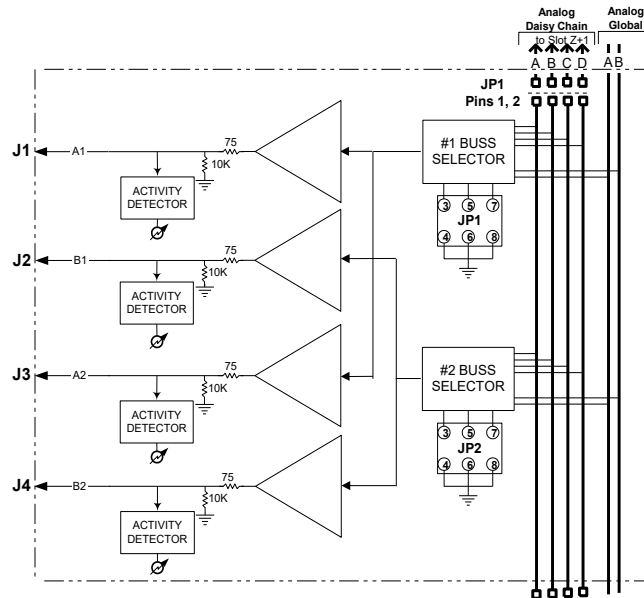


Figure 1: 9200-0084 Module Functional Block Diagram

### Specifications

#### ELECTRICAL

- Four Composite Video Outputs, J1-J4
  - Output Impedance, 75 Ohms
  - Signal Level, +/- 1.5V into 75 Ohm
  - Connectors, BNC
- Signal Source: Daisy Chain/Global Bus
  - Bus Selector 1: J1, J3 Output
  - Bus Selector 2: J2, J4 Output
- Selectable Bus Extension
- LED Status Indicators
  - Four Output Activity Indicators (J1-J4)
  - ACT (Green): Signal OK (Composite)
  - LOS (Red): No signal (Composite)
  - P (Blue): Power
- Remote Control (Option)
  - Requires 9200-HSC1 System Option

#### MECHANICAL

- 2.9"(w) x 0.75"(h) x 7.1"(d)
- Hot Swappable
  - Pluggable w/Card Edge Connector
  - Card-Lock/Extraction Handle

#### ENVIRONMENTAL

- Operating
  - Temp: 0 to +55 degrees C
  - Relative Humidity: 5% to 95% non-cond
- Non-operating (Storage)
  - Temp: -40 to +85 degrees C
  - Relative Humidity: 5% to 95% non-cond

\* Recognizing that no standard product can meet all the needs of all users, GDP stands ready to provide units tailored to unique applications.

\* The statements in this data sheet are not intended to create any warranty, expressed or implied. Specifications are subject to change without notice.