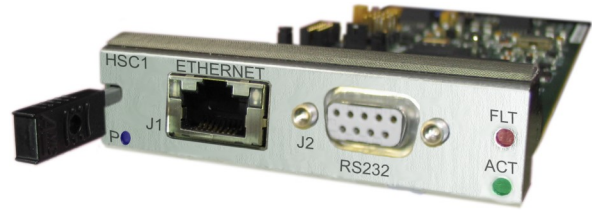


Health, Status, and Control Module

Features

- Remote Health Monitoring
 - Power Supplies
 - Chassis Fans
 - Temperature
- Remote Status Monitoring
 - Module Locations
 - Module Identification
 - Channel Activity
- Remote Control
 - Invert Channels
 - Select Input Source
 - Turn Channels On/Off
 - Code Conversion
 - Drive Backplane Buses
- Pluggable
- Hot Swappable
- 10/100 Ethernet
- RS-232

General Description

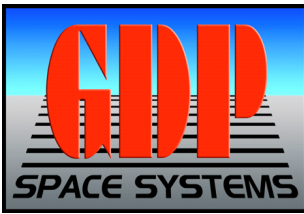


The GDP Model 9200-HSC1 Health, Status, and Control Module is one of the functional and hot-swappable modules which can be incorporated into the 9200 Series Chassis. The 9200-HSC1 Module provides the user with the capability to remotely access the 9200 system via an Ethernet interface or an RS-232 interface. The 9200 chassis and all of the 9200 series modules are equipped with the capability of providing some level of remote health, status, and control.

The Model 9200 Data Conversion and Distribution System is a modular product that is scalable and user configured to convert and/or distribute a large selection of data channels to satisfy a wide variety of data signal conversion and distribution functions. The 9200 chassis has 16 single height card slots to house the large selection of 9200 series modules. The 9200 series modules provide the ability to accept and properly terminate a variety of signal types and then convert these signals to other industry standards.

The chassis provides global and daisy chain buses so that signals can be received by one module and then sent to other modules in the chassis to satisfy signal conversion and distribution requirements. This concept provides a cost effective and flexible solution to a wide range of signal conversion and distribution applications such as level conversion, signal inversion, code conversion, time code distribution, fiber optic transport, and optical isolation.

Figure 1 shows a functional block diagram of the Model 9200-HSC1.



Health, Status, and Control Module

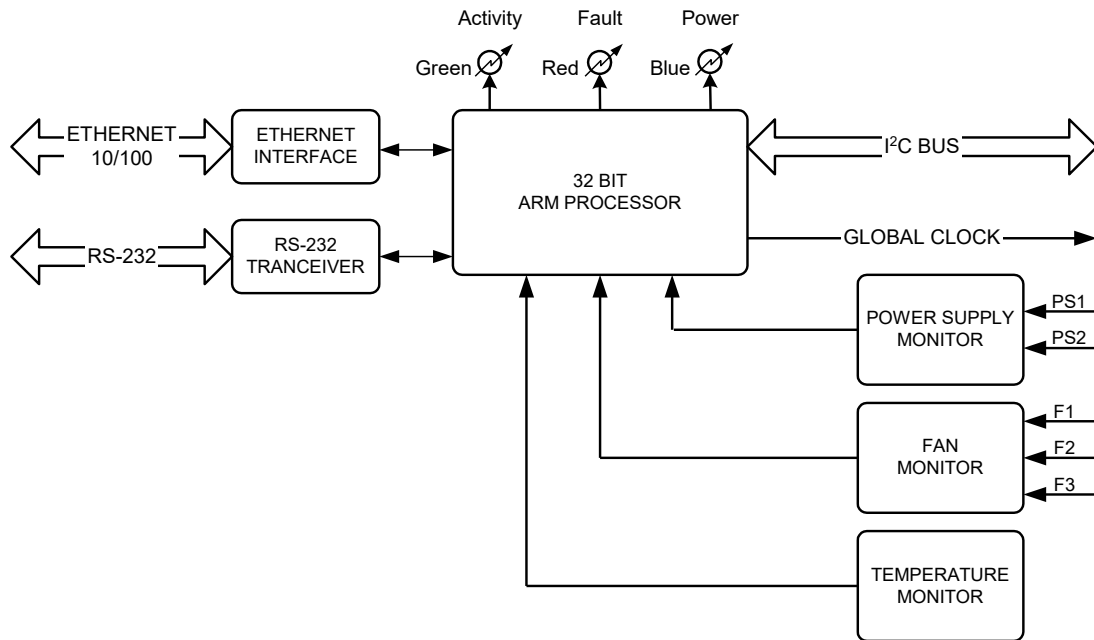


Figure 1; 9200-HSC1 Module Functional Drawing

Specifications

ELECTRICAL

- Ethernet
 - 10/100 Base T
 - RJ-45 Connector
- RS-232
 - D-9 Connector
 - ASCII Commands
- Hot Swappable Module
- 3 LED indicators
 - Green: Communication in Progress
 - Blue: Power
 - Red: System Error

MECHANICAL

- 2.9" wide
- 0.75" high
- 7.1" deep

ENVIRONMENTAL

- Operating Temperature
 - 0 degrees C to +55 degrees C
- Operating Relative Humidity
 - 5% to 95% non-condensing
- Non-operating Temperature
 - -40 degrees C to +85 degrees C
- Non-operating Relative Humidity
 - 5% to 95% non-condensing

* Recognizing that no standard product can meet all the needs of all users, GDP stands ready to provide units tailored to unique applications.

* The statements in this data sheet are not intended to create any warranty, expressed or implied. Specifications are subject to change without notice.