

## Time Code Analog-In to Fiber-Out

### Features

- IRIG A, B, G Time Code Input
  - Input Impedance: 75 Ohm
  - BNC Connector
  - Connect to Outputs & Analog Busses
- IRIG A, B, G Time Code Fiber Output
  - SFP Module Holder
    - SFP Transceiver Module\*
- Front Panel LED Status Indicators
  - Fiber Optic Link Status
  - Signal Activity
  - Power
- Selectable Bus Extension
- Pluggable, Hot Swappable
- Remote Control\*

\*Optional

### General Description



The GDP Model 9200-8191 Data Conversion and Distribution Module is one of the functional and hot-swappable modules which can be incorporated into the 9200 Series Chassis. The 9200-8191 Module is configured to accept an IRIG Time Code signal input on a BNC connector. The signal is conditioned for output over a fiber optic link via an SFP fiber module. The input signal may be applied to an Analog Daisy-Chain Bus or Global Bus for use by subsequent card slots for further selective conversion and distribution by other modules residing in the chassis.

Figure 1 shows a functional block diagram of the Model 9200-8191.

The Model 9200 Data Conversion and Distribution System is a modular product that is scalable and user configured to convert and/or distribute a large selection of data channels to satisfy a wide variety of data signal conversion and distribution functions. The 9200 chassis has 16 single height card slots to house the large selection of 9200 series modules. The 9200 series modules provide the ability to accept and properly terminate a variety of signal types and then convert these signals to other industry standards.

The chassis provides global and daisy chain buses so that signals can be received by one module and then sent to other modules in the chassis to satisfy signal conversion and distribution requirements. This concept provides a cost effective and flexible solution to a wide range of signal conversion and distribution applications such as level conversion, signal inversion, code conversion, time code distribution, fiber optic transport, and optical isolation.

## Time Code Analog-In to Fiber-Out

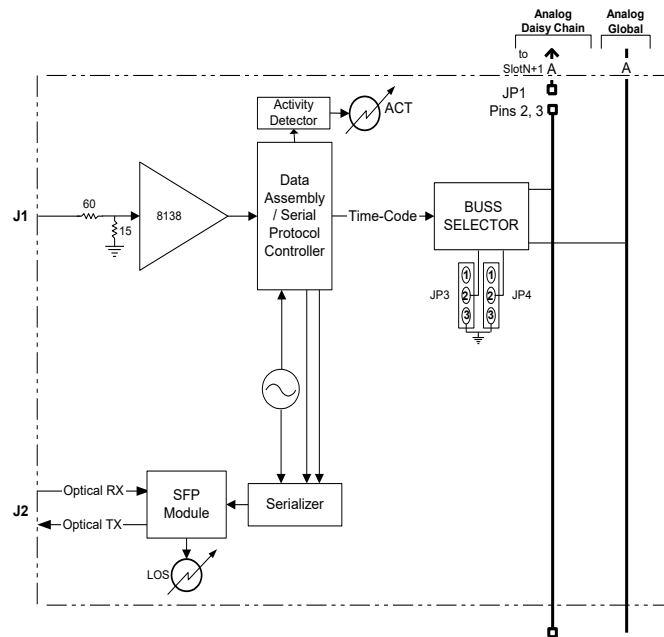


Figure 1: Module 9200-8191 Functional Diagram

## Specifications

### ELECTRICAL

- IRIG A, B, G Time Code Input, J1
  - Input Impedance: 75 Ohm (60:15 Divider)
  - BNC connector
  - Bus Selector: Input to Analog Busses
- Time Code Fiber Optic Output, J2
  - SFP Module Holder
    - SFP Transceiver Module (Optional)
- LED Status Indicators
  - ACT (Green): Signal Input Present
  - LOS (Tri-Color):
    - (Red): No Optical Link
    - (Green): Optical Link Up
    - (Amber): Tx (Local) Laser Off
  - P (Blue): Power OK
- Selectable Bus Extension
- Remote Control (Option)
  - Requires 9200-HSC1 System Option

### MECHANICAL

- 2.9"(w) x 0.75"(h) x 7.1"(d)
- Hot Swappable
  - Pluggable w/Card Edge Connector
  - Card-Lock/Extraction Handle

### ENVIRONMENTAL

- Operating
  - Temp: 0 to +55 degrees C
  - Relative Humidity: 5% to 95% non-cond
- Non-operating (Storage)
  - Temp: -40 to +85 degrees C
  - Relative Humidity: 5% to 95% non-cond

\* Recognizing that no standard product can meet all the needs of all users, GDP stands ready to provide units tailored to unique applications.

\* The statements in this data sheet are not intended to create any warranty, expressed or implied. Specifications are subject to change without notice.