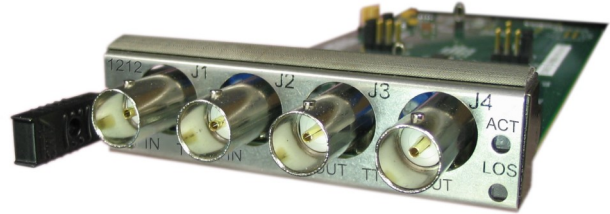


## 2 TTL Input / 2 TTL Output Module

### Features

- Two TTL level input
  - BNC connector
- Selectable input impedance
  - 50 Ohm
  - 75 Ohm
  - High impedance
- Two TTL outputs
  - BNC connectors
- Pluggable
- Hot Swappable
- Up to 35 Mbps
- Drives the Daisy Chain bus
- Can drive the Global buses
- 3 LED indicators
  - Signal OK
  - No signal
  - Power
- Remote control capable
- Invert Output Polarity

### General Description



The GDP Model 9200-1212 Data Conversion and Distribution Module is one of the functional and hot-swappable modules which can be incorporated into the 9200 Series Chassis. The 9200-1212 Module accepts two TTL level data signal on BNC connectors, and outputs two copies for distribution in TTL format on BNC connectors. Simultaneously, the input signal drives a daisy chain bus for further selective conversion and distribution by other modules residing in the chassis. With the proper jumper settings, the module also with daisy chain and global buses on the 9200 chassis backplane for interface with other output modules.

The Model 9200 Data Conversion and Distribution System is a modular product that is scalable and user configured to convert and/or distribute a large selection of data channels to satisfy a wide variety of data signal conversion and distribution functions. The 9200 chassis has 16 single height card slots to house the large selection of 9200 series modules. The 9200 series modules provide the ability to accept and properly terminate a variety of signal types and then convert these signals to other industry standards.

The chassis provides global and daisy chain buses so that signals can be received by one module and then sent to other modules in the chassis to satisfy signal conversion and distribution requirements. This concept provides a cost effective and flexible solution to a wide range of signal conversion and distribution applications such as level conversion, signal inversion, code conversion, time code distribution, fiber optic transport, and optical isolation.

## 2 TTL Input / 2 TTL Output Module

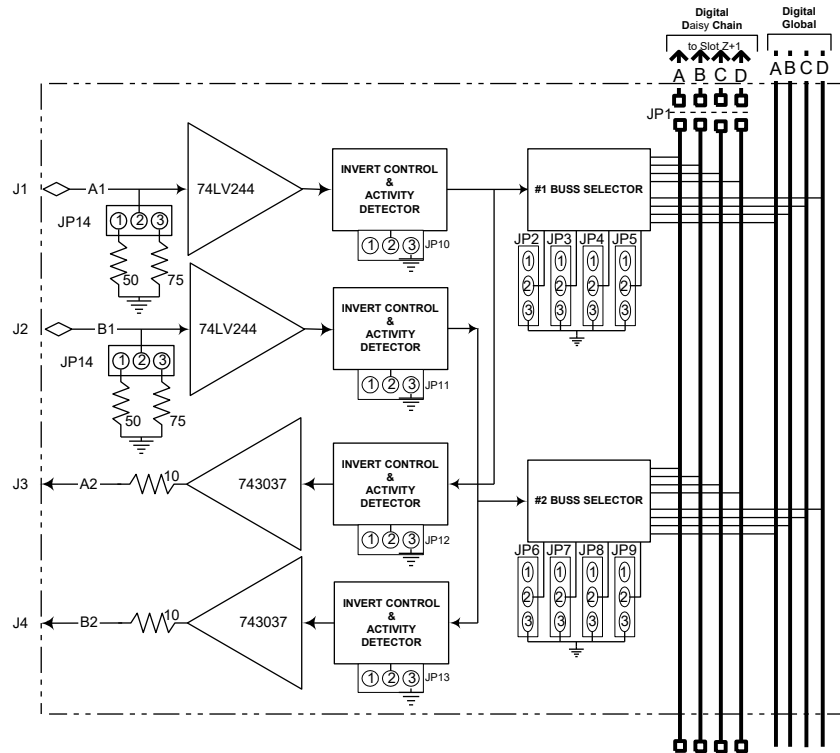


Figure 1: 9200-1212 Module Functional Diagram

### Specifications

#### ELECTRICAL

- Two TTL level inputs
  - BNC connectors
  - Selectable input impedance: 50ohm, 75 ohm, or high input impedance.
- Two independently driven TTL level outputs
  - BNC connectors
- Operates up to 35 Mbps
- Hot Swappable module
- Drives Daisy Chain bus
- Can drive Global backplane buses
- 3 LED indicators
  - Green: Signal OK
  - Red: No signal
  - Blue: Power

#### MECHANICAL

- 2.9" wide
- 0.75" high
- 7.1" deep

#### ENVIRONMENTAL

- Operating Temperature
  - 0 degrees C to +55 degrees C
- Operating Relative Humidity
  - 5% to 95% non-condensing
- Non-operating Temperature
  - -40 degrees C to +85 degrees C
- Non-operating Relative Humidity
  - 5% to 95% non-condensing

\* Recognizing that no standard product can meet all the needs of all users, GDP stands ready to provide units tailored to unique applications.

\* The statements in this data sheet are not intended to create any warranty, expressed or implied. Specifications are subject to change without notice.