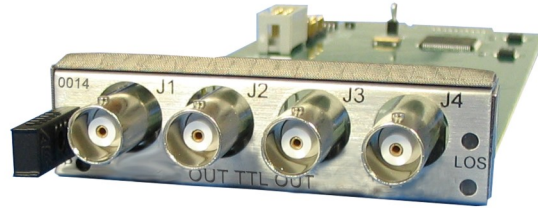


Features

- Four TTL level outputs
- BNC connectors
- Pluggable
- Hot Swappable
- Up to 35 Mbps
- Up to 4 inputs
 - Daisy chain bus 1 & 2
 - Global bus 1 & 2
- Drives the Daisy Chain bus
- 3 LED indicators
 - Signal OK
 - No signal
 - Power
- Remote control capable
- Invert Output Polarity

General Description



The GDP Model 9200-0014 Data Conversion and Distribution Module is one of the functional and hot-swappable modules which can be incorporated into the 9200 Series Chassis. The 9200-0014 module accepts input signals from other modules in the 9200 chassis via the Global and Daisy Chain buses, and outputs four TTL level signals on BNC connectors. The input signals from the Daisy Chain bus are repeated to the subsequent card slots for further selective conversion and distribution by other modules residing in the chassis.

The Model 9200 Data Conversion and Distribution System is a modular product that is scalable and user configured to convert and/or distribute a large selection of data channels to satisfy a wide variety of data signal conversion and distribution functions. The 9200 chassis has 16 single height card slots to house the large selection of 9200 series modules. The 9200 series modules provide the ability to accept and properly terminate a variety of signal types and then convert these signals to other industry standards.

The chassis provides global and daisy chain buses so that signals can be received by one module and then sent to other modules in the chassis to satisfy signal conversion and distribution requirements. This concept provides a cost effective and flexible solution to a wide range of signal conversion and distribution applications such as level conversion, signal inversion, code conversion, time code distribution, fiber optic transport, and optical isolation.

Figure 1 shows a functional block diagram of the Model 9200-0014.

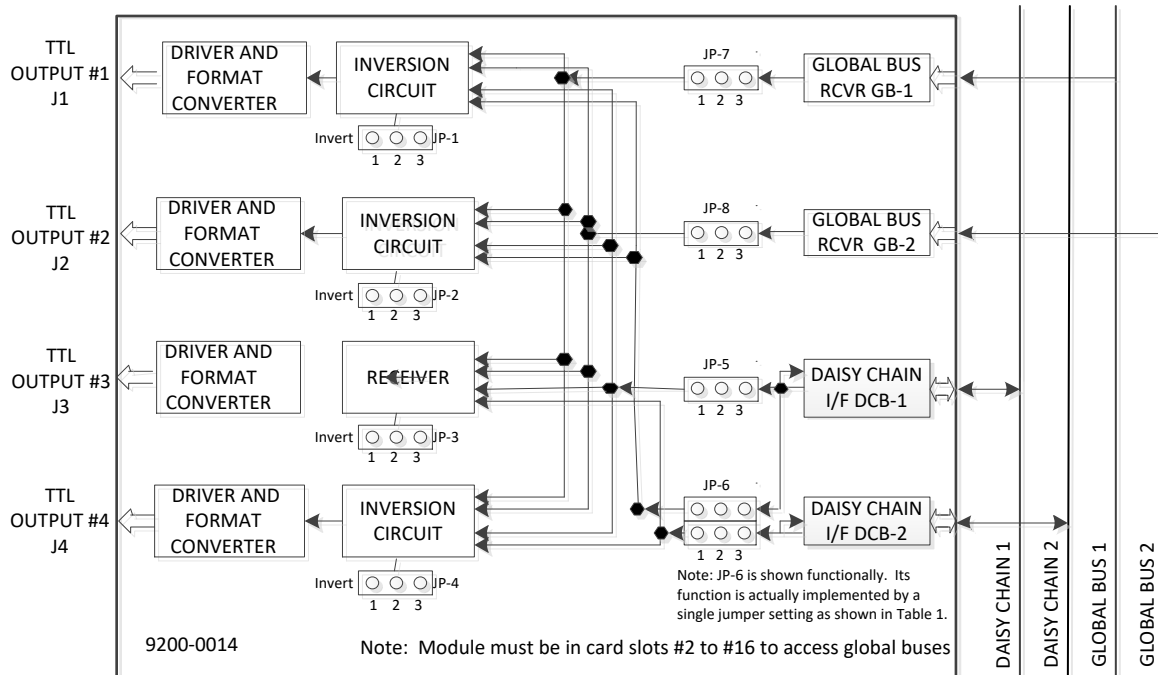


Figure 1; 9200-0014 Module Functional Drawing

Specifications

ELECTRICAL

- Four independently driven TTL level outputs
- BNC connectors
- Operates up to 35 Mbps
- Hot Swappable module
- Each channel independently configurable to accept any one of the backplane buses:
 - Daisy chain bus 1 & 2
 - Global bus 1 & 2
- Drives both Daisy Chain buses
- 3 LED indicators
 - Green: Signal OK
 - Red: No signal
 - Blue: Power

MECHANICAL

- 2.9" x 0.75" x 7.1"

ENVIRONMENTAL

- Operating Temperature
 - 0 degrees C to +55 degrees C
- Operating Relative Humidity
 - 5% to 95% non-condensing
- Non-operating Temperature
 - -40 degrees C to +85 degrees C
- Non-operating Relative Humidity
 - 5% to 95% non-condensing

* Recognizing that no standard product can meet all the needs of all users, GDP stands ready to provide units tailored to unique applications.

* The statements in this data sheet are not intended to create any warranty, expressed or implied. Specifications are subject to change without notice.